

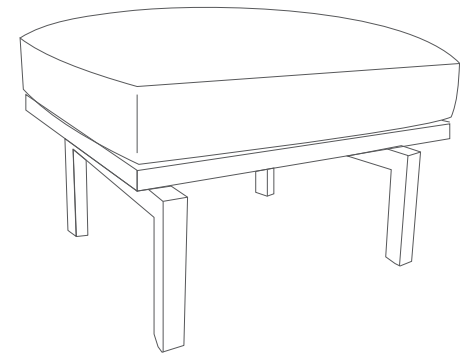
# Bolia.com

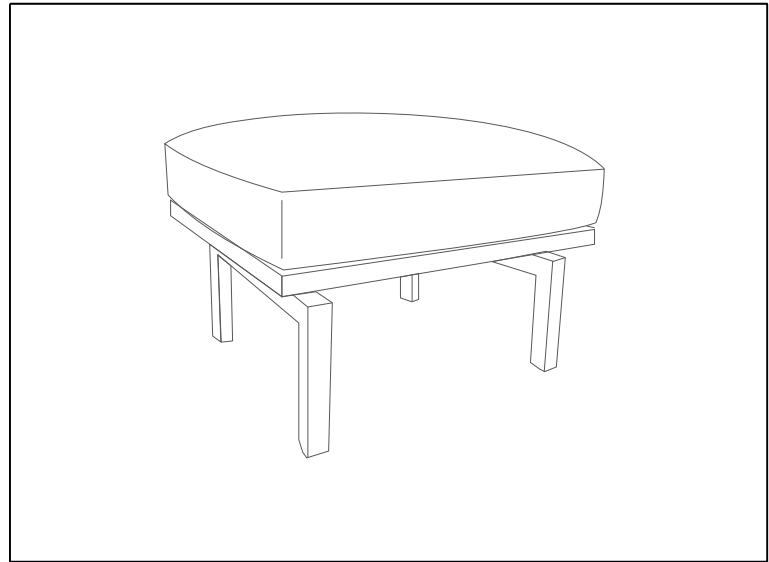
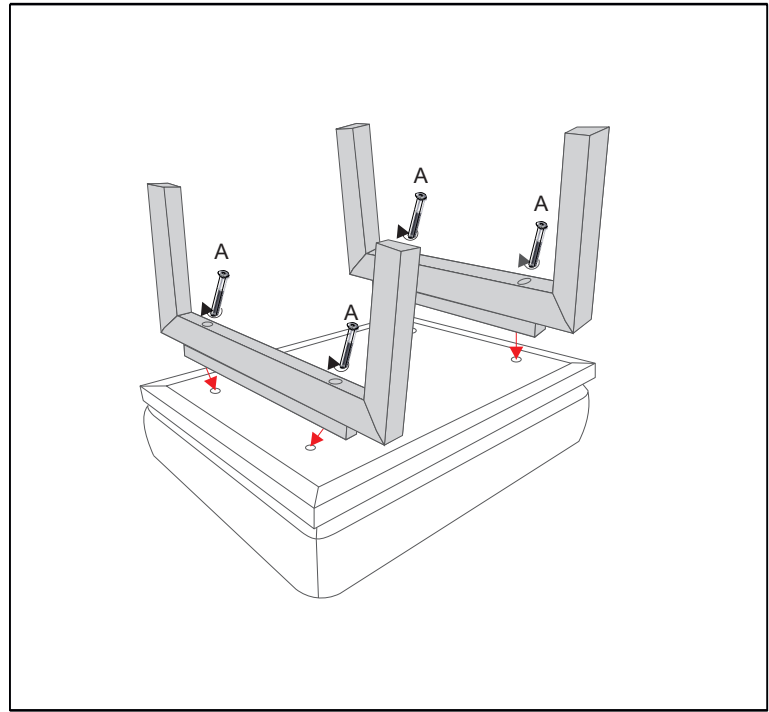
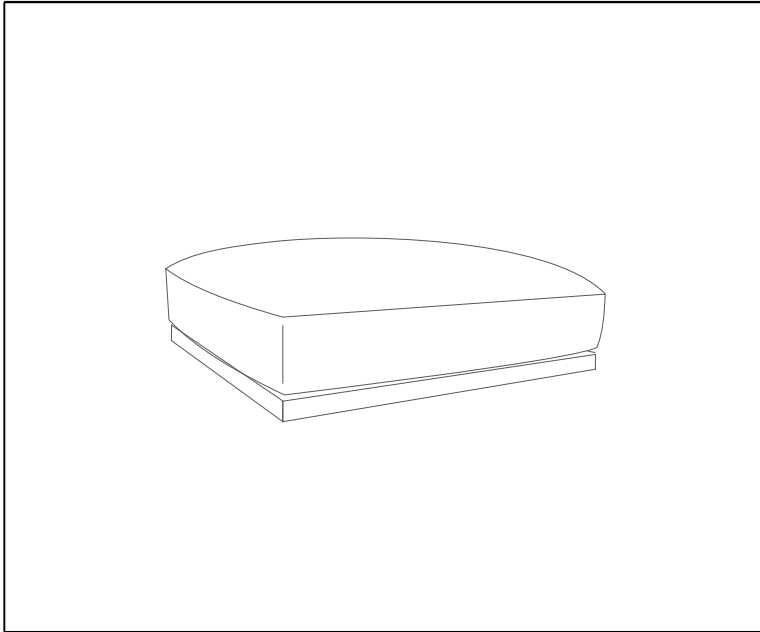
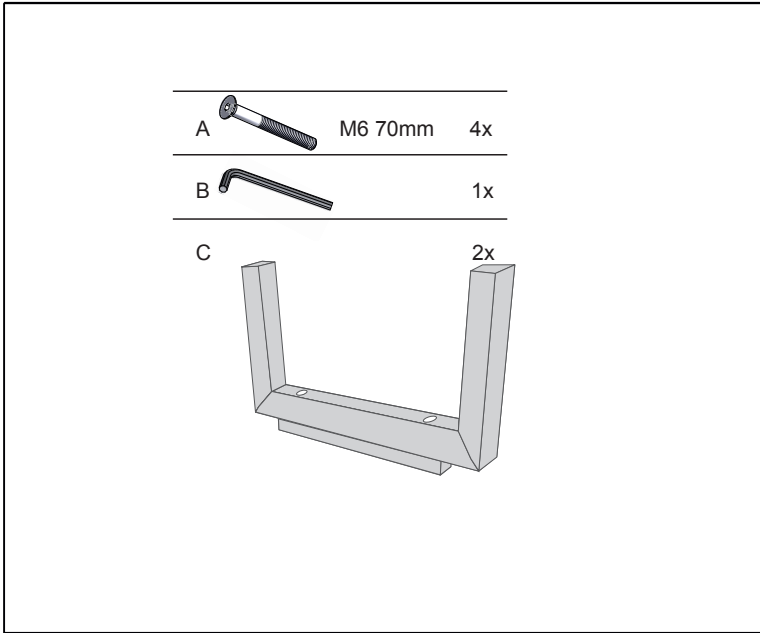
new scandinavian design

## Elton footstool

Designed by Glismand & Rüdiger

Version xxx - Month/Year





### Instructions for use

This manual must be read carefully and kept in a safe place.

This manual contains important information on the handling and care of this seating furniture.

Read the manual carefully, especially the safety instructions, before using your seating furniture. If you do not follow the instructions, there is a risk that you could damage the furniture or the upholstery of the furniture, in the worst case even persons could be injured.

Keep the manual for future reference. If the furniture is later passed on to third parties, this manual must also be provided.

The following symbols and notes are used in the instructions for the seating furniture and packaging:



*This symbol indicates a warning regarding the care, handling or use of the product. If such a warning is not observed, there is a risk that you could damage the furniture or the upholstery of the furniture, in the worst case even persons could be injured.*



*This symbol indicates instructions for use of the seating furniture. Negligence can lead to damage to the product or injuries.*

### Use of the product

The seating furniture is intended for indoor use only and is not suitable for outdoor use.

Do not climb on the furniture – there is a risk of it tipping over.

Use the seating furniture only for the purpose described in this manual.

Any other use does not correspond to the intended purpose of the seating furniture and can lead to damage to the furniture or injuries.

The manufacturer or dealer accepts no responsibility for damage resulting from the use of the seating furniture in a manner for which it is not intended.

### Safety instructions

**IMPORTANT** – Read carefully and keep in a safe place.

Risk of personal injury.

Incorrect, improper use of the seating furniture can lead to the following personal injuries:



- Do not climb onto the seating furniture. It is not intended for this and can be damaged as a result.
- Read and follow the installation instructions carefully.
- Children must not play with the packaging film, as there is a risk that they will be wrapped up in it and caught.
- Do not turn the seating furniture upside-down. There may be people underneath it, which can lead to injuries.
- Make sure that the seating furniture is stable on all 4 legs to prevent injury to fingers or toes.
- Before using the seating furniture, make sure that there is nothing that can harm or injure persons.



#### Please note:

Risk of damaging the seating furniture.

Incorrect, improper use, handling and cleaning can damage parts or the entire product.

- Keep the seating furniture away from open fire, hot surfaces and direct sunlight.
  - The seating furniture may only be cleaned with recommended care products.
  - The seating furniture must not be cleaned with steam.
  - Do not step on or jump on the seating furniture. It is not intended for this.
  - Do not use a hard brush, solvent, corrosive or strong cleaning agent to clean the seating furniture.
  - Do not push or pull the seating furniture over the floor. This could damage both the legs and the floor.
- Always lift the seating furniture to move it.
- Further information can be found on our website: [Bolia.com](http://Bolia.com)

### Cleaning and storage

- Only clean with a recommended cleaning agent.
- Always use recommended care products.
- Never cover wet seating furniture. If wet furniture is covered, it can be damaged.
- Further information can be found on our website: [Bolia.com](http://Bolia.com)

### Technical information:

As we are constantly developing and improving our products, design and technical changes may occur.

This manual can be downloaded as a PDF file from our website: [Bolia.com](http://Bolia.com)

### Disposal of packaging

Packaging materials must be separated and disposed of properly. Paper and cardboard belong in the paper bin and film in the appropriate packaging waste.

Disposal of the seating furniture

Dispose of the product in accordance with local waste regulations.

Anleitung für die Benutzung

Diese Anleitung muss sorgfältig gelesen und aufbewahrt werden.

Sie enthält wichtige Informationen zur Handhabung und Pflege dieses Sitzmöbels.

Lesen Sie die Anleitung, insbesondere die Sicherheitshinweise, sorgfältig durch, bevor Sie Ihr Sitzmöbel benutzen. Wenn Sie die Anweisungen nicht befolgen, besteht die Gefahr, dass Sie das Möbel oder die Polster des Möbels beschädigen könnten, im schlimmsten Fall können sogar Personen verletzt werden.

Heben Sie die Anleitung für eine spätere Verwendung auf. Wenn das Möbel später einmal an Dritte weitergegeben wird, muss auch diese Anleitung mitgegeben werden.

Die folgenden Symbole und Hinweise werden in der Anleitung für das Sitzmöbel und die Verpackung verwendet:



*Dieses Symbol kennzeichnet einen Warnhinweis hinsichtlich der Pflege, Handhabung oder Verwendung des Produkts. Wenn ein solcher Warnhinweis nicht beachtet wird, besteht die Gefahr, dass Sie das Möbel oder die Polster des Möbels beschädigen könnten, im schlimmsten Fall können sogar Personen verletzt werden.*



*Dieses Symbol kennzeichnet Hinweise zur Benutzung des Sitzmöbel. Nachlässigkeit kann zu Schäden am Produkt oder zu Verletzungen führen.*

### Benutzung des Produkts

Das Sitzmöbel ist nur zum Sitzen im Innenbereich gedacht und nicht für den Außenbereich geeignet.

Steigen Sie nicht auf das Möbel – es besteht die Gefahr, dass es umkippt.

Verwenden Sie das Sitzmöbel nur zu dem in dieser Anleitung beschriebenen Zweck.

Jede andere Verwendung entspricht nicht dem vorgesehenen Zweck des Möbels und kann zu Schäden am Sitzmöbel oder zu Verletzungen führen.

Der Hersteller oder Händler übernimmt keine Verantwortung für Schäden infolge der Verwendung des Sitzmöbels in einer Weise, für die es nicht vorgesehen ist.

# Bolia.com

new scandinavian design

Vaerkmestergade 11,1  
8000 Aarhus C